

# Product Documentation



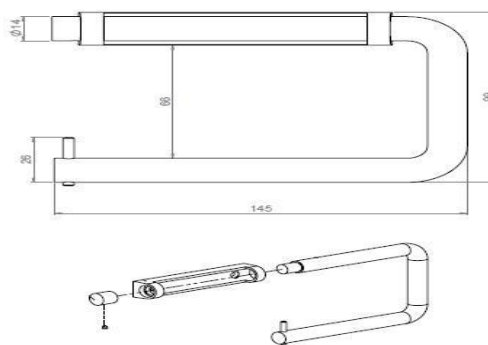
**Product Name:** Toilet roll holder, w/grey bracket

**Article Number:** 14.7056.02.141  
*Satin stainless steel*  
16.7056.01.147  
*Polished stainless steel*

**Photo:**



**Drawing:**



**Product Information:**

**Material:** AISI 316 stainless steel  
**Surface finish:** 320 grain or polished  
**Material thickness / Radius:** Ø14  
**Height:** 99mm  
**Width:** 145mm  
**Depth:** 23mm

**NOTE:** -

**Certificate:** -  
**Warranty:** 20 years (non moveable parts)

**Spare Parts / Accessories:**

14.9760.02.106 Cover cap  
14.9760.30.119 Loose wall bracket grey  
14.9701.00.052 Grubscrew M4x3mm  
P0.0000.00.402 Screws and plugs

**Mounting:**

Screw elfz. pz 4x50mm and plugs Plugs 8 x 40mm

**Maintenance:**

Wash down with mild detergent, rinse off with clean water and dry off with soft dry cloth.

**Product Specification:**

d line Toilet roll holder Ø 14 x 145 mm, black PVC bracket, with concealed fixing AISI 316 satin stainless

The high humidity levels in the bathroom setting necessitates the use of a non-corrosive rustresistant stainless steel. the only metal used in d line's bathroom fittings is AISI 316, also known as marine quality stainless steel.

**Related Products:**

14706202016 Spare toilet roll holder

**Packing**

1pcs in a bag, 20 pcs per box

**Environment:**

No environmental risk and no risk of fire